

JBC

www.jbctools.com

INSTRUCTION MANUAL



Stands for Handles

Ref. AD-SE / DN-SE

Packing List

Stand 1 unit
Ref. DN-SE



Stand 1 unit
Ref. AD-SE



The following items should be included in each stand:

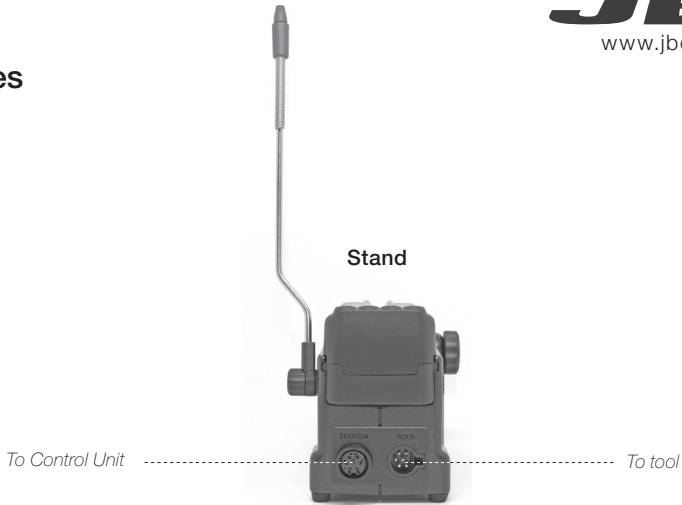
Stand Cable 1m..... 1 unit
Ref. 0011283



Manual 1 unit
Ref. 0021639



Features



Quick Tip Changer

Ref. AD-SE

Save time and change cartridges safely without switching the station off. Be careful, the cartridges may be hot, when placing them in the storage rack.

1. Removing



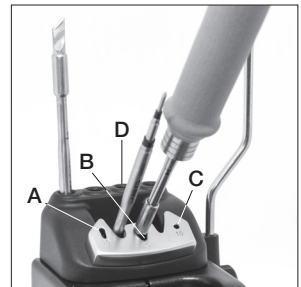
Place the cartridge in the extractor and pull the handle to remove it.

2. Inserting



Place the handle on top of the new cartridge and press down.

3. Fixing



Use the holes to fix the cartridge as follows:

- A.** For curved C210
- B.** For C245
- C.** For straight C210
- D.** cartridge Storage rack

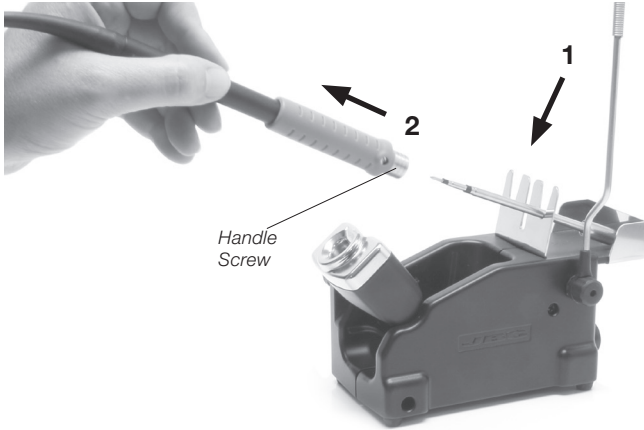
Important: It is essential to insert the cartridge as far as the mark for a proper connection.



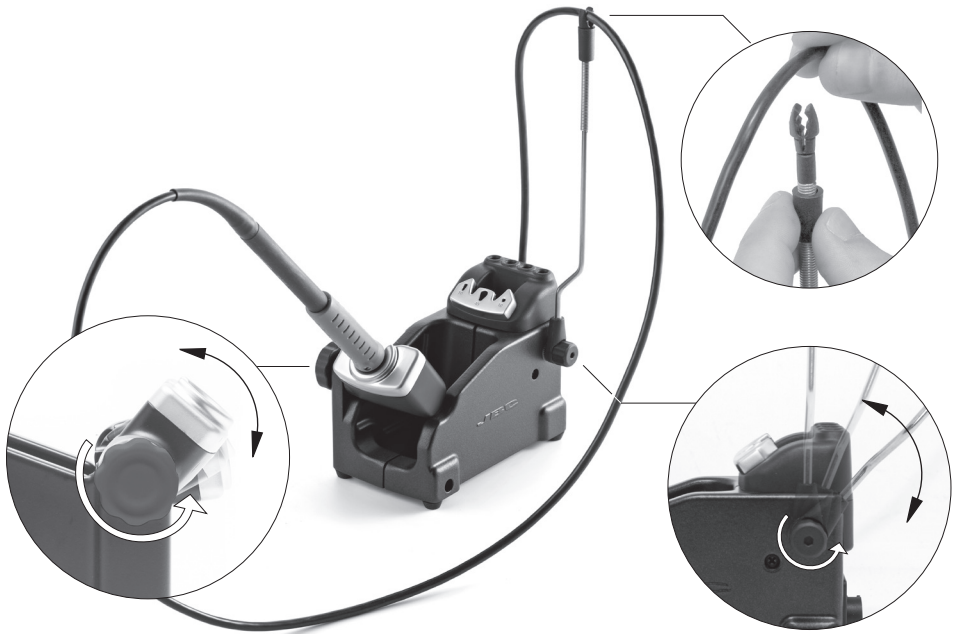
Extractor

Ref. DN-SE

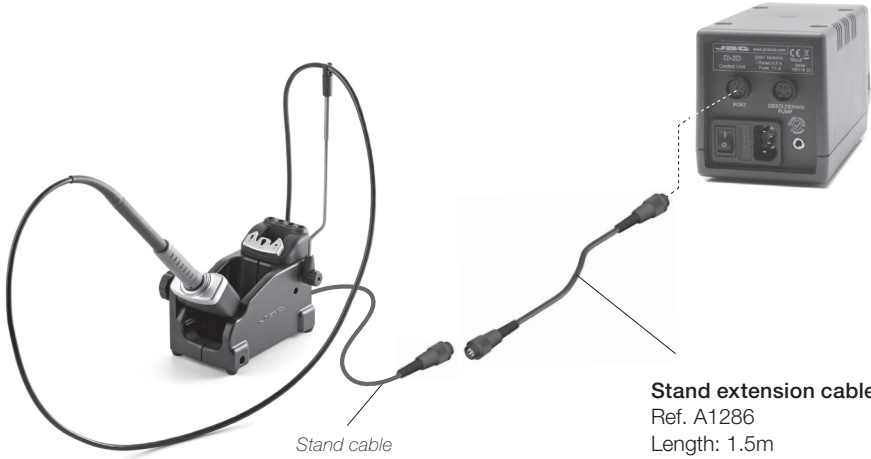
Loosen the handle screw and follow the guide.



Assembly: Cable Collector and Adjustable Tool Holder



Accessories



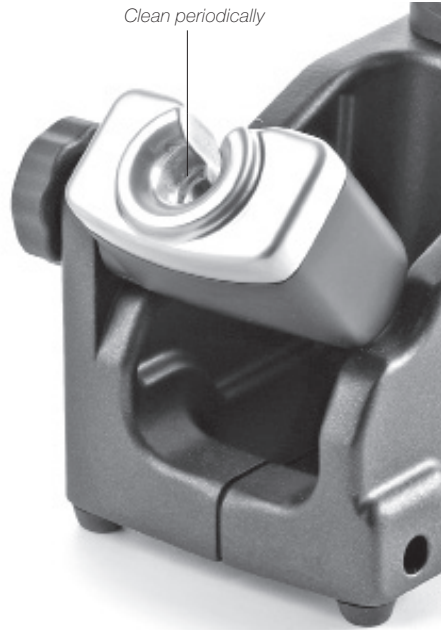
Stand cable

Stand extension cable
Ref. A1286
Length: 1.5m

Maintenance

Before carrying out maintenance or storage, always unplug the stand from the station and the tool.

- Use a damp cloth to clean the stand. Alcohol can be used only when cleaning the metal parts.
- Check periodically that the metal parts of the tool/stand are clean so that the station can check the tool's status.
- Periodically check all cables and tube connections.
- Replace any defective or damaged parts. Use original JBC spare parts only.
- Repairs should only be performed by a JBC authorized technical service.



Safety



It is imperative to follow safety guidelines to prevent electric shock, injury, fire or explosion.

- Do not use the stands for any purpose other than soldering or rework.
- The power cord must be plugged into approved bases. Be sure that it is properly grounded before use. When unplugging it, hold the plug, not the wire.
- The tool should be placed in the stand when is not in use in order to activate the sleep mode. The soldering tip, the metal part of the tool and the stand may still be hot even when the station is turned off. Handle with care, including when adjusting the stand position.
- Avoid the contact of flux with skin or eyes to prevent irritation.
- Be careful with the fumes produced when soldering.
- Keep your workplace clean and tidy. Wear appropriate protection glasses and gloves when working to avoid personal harm.
- Utmost care must be taken with liquid tin waste which can cause burns.
- This appliance can be used by children over the age of eight and also persons with reduced physical, sensory or mental capabilities or lack of experience provided that they have been given adequate supervision or instruction concerning use of the appliance and understand the hazards involved. Children must not play with the appliance.
- Maintenance must not be carried out by children unless supervised.

Specifications

AD-SE

- | | |
|----------------------|---|
| - Includes | Sleep Mode |
| - Net Weight | 1.18 kg (2.61 lb) |
| - Package Weight | 1.57 kg (3.46 lb) |
| - Package Dimensions | 342 x 155 x 120 mm (13.46 x 6.10 x 4.72 in) |

DN-SE

- | | |
|----------------------|---|
| - Includes | Sleep Mode |
| - Net Weight | 1.32 kg (2.93 lb) |
| - Package Weight | 1.61 kg (3.56 lb) |
| - Package Dimensions | 342 x 155 x 120 mm (13.46 x 6.10 x 4.72 in) |

Complies with CE standards
ESD protected

JBC

Warranty

JBC's two-year warranty covers this equipment against all manufacturing defects, including the replacement of defective parts and labour. Warranty does not cover product wear or misuse. In order for the warranty to be valid, equipment must be returned, postage paid, to the dealer where it was purchased.

Register your warranty within 30 days of purchase in www.jbctools.com/productregistration



This product should not be thrown in the garbage.

In accordance with the European directive 2002/96/EC, electronic equipment at the end of their life must be collected and returned to an authorized recycling facility.



Manual in other languages available on our website

www.jbctools.com